

International 2.4metre Measurement Form

Name of Yacht Wilde 13 IYRU Plaque Number 279
 Sail Number GER 13 Owner Hans-Peter Reichel

Overall length		4.180	
Add Overhang Forward to L1	0.430		
Overhang Aft to L1	0.655		
Total Overhang	.	→ + 1.085	
Measured Length (Overall length - Total Overhang)		3.095	
Girth at Bow	0.312		
Twice Vertical Height at Bow	0.240		
O at Bow	0.072		
Add 1/2 O at Bow		0.108	
Subtract Girth at Stern	0.898		
Twice vertical Height at Stern	0.529		
O at stern	0.309		
Add 1/3 O at Stern		0.123	
Add any penalty at O2		.	
Correct length, L		.	→ 3.320
Skin girth d to d1 Port	.		
- Chain girth d to d1 Port	.		
= Girth difference Port	.	→ . -	
Skin girth d to d1 Starboard	.		
- Chain girth d to d1 Starboard	.		
= Girth difference Starboard	.	→ . -	
Add Girth difference Port and Starboard		.	-
2 x sum of Girth difference			-
Add to find sum of L + 2d			-
Add Mean freeboard Bow O	0.327		
Mean freeboard Midships D	+0.291		
Mean Freeboard Stern O & O2	+0.278		
Sum of Freeboards	0.916		
Subtract 1/3 sum Freeboard, F(max 0.292)	.	→	- 0.292
= L+2d-F			3.034
\sqrt{S}			2.654
Total of Measurements L+2d-F+ \sqrt{S}			5.688
Divide by 2.37 = RATING=			2.400

Other Measurements recorded by measurer

Overall Length

Overhang Forward to L

Overhang Aft to L

Total Overhang (Sum overhang forward & aft)

Waterline Length (Overall length - Total Overhang)

Beam at 1/3 Height of Midship Freeboard

Tumblehome

Minimum measured freeboard when ballasted and swamped in accordance with Rule 8.2

Weight recorded by weighing in measurer's presence (including 35kg ballast)

Minimum weight required by Rule $(0.2 \times LWL + 0.06)^3$

	4.180
0.547	
+ 0.655	
	→ - 1.202
	2.978
	0.752
	-
	0.05
	2,59 kg
	294 x
	2.89 kg

Sail Dimensions

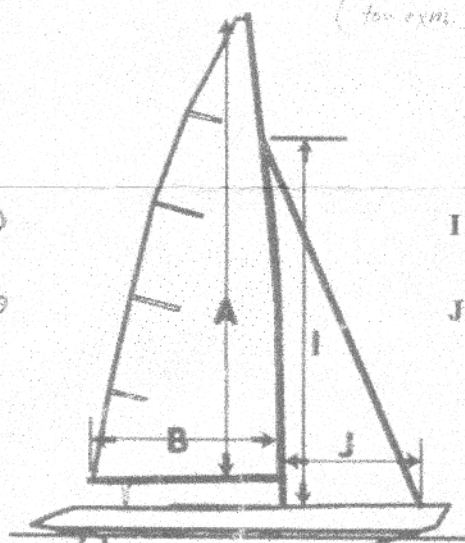
*x Fullfill requirements 8.11
when total weight is 250 kg
(top exm. 50 kg rig + 10 kg rig + 181 kg lead)*

A = 4.650

B = 1.960

I = 3.750

J = 1.560



*Measured without sails
rigg and weighing*

Areas of Sails

Mainsail $0.5 \times P \times E$

4.552 m²

Foretriangle Total $(0.5 \times I \times J) =$

2.925 m²

Foretriangle Total x 0.85 =

2.486 m²

Sail Area for Rating = S =

7.043 m²

2.654

√S

VENE-BJÖRNDALH Ky

Builder Vasarakuja 6 puh./fax
87100 KOKKOLA 968-8317950

Designer PETER NORLIN

When built 2000

Measured by Eero Hyppö

Date of measurement 18.2.2000

EERO HYPPÖ
SPL/FYA LIC. 0019