

# International 2.4metre Measurement Form

Name of Yacht GLUTAEUS IYRU Plaque Number 0193

Sail Number ~~FAL-88~~ Owner ~~INOMAR BIERSTADT~~ Jürgen Eck

Overall length GER-106

Add Overhang Forward to L1  
Overhang Aft to L1

Total Overhang

Measured Length (Overall length - Total Overhang)

Girth at Bow

Twice Vertical Height at Bow

O at Bow

Add 1/2 O at Bow

Subtract Girth at Stern  
Twice vertical Height at Stern

O at stern

Add 1/3 O at Stern

Add any penalty at O2

Correct length, L

Skin girth d to d1 Port  
- Chain girth d to d1 Port

= Girth difference Port

Skin girth d to d1 Starboard  
- Chain girth d to d1 Starboard

= Girth difference Starboard

Add Girth difference Port and Starboard

2 x sum of Girth difference

Add to find sum of L + 2d

Add Mean freeboard Bow O  
Mean freeboard Midships D  
Mean Freeboard Stern O & O2

Sum of Freeboards

Subtract 1/3 sum Freeboard, F(max 0.292)

= L+2d-F

$\sqrt{S}$

Total of Measurements L+2d-F+ $\sqrt{S}$

Divide by 2.37 = RATING=

	4.181	
0.431		
0.655		
0.	→ 4.086	
	3.095	
0.312		
0.240		
0.672		
	0.108	
0.878		
0.529		
0.369		
	0.123	
	.	
	.	→ 3.326
.		
.		
.	→ . -	
.		
.		
.	→ . -	
	.	
	.	
0.327		
+0.291		
+0.298		
0.916		
.		
.	→	- 0.292
		3.634
		2.654
		5.688
		2.400

**Other Measurements recorded by measurer**

Overall Length

	4.181
--	-------

Overhang Forward to L

0.578	
-------	--

Overhang Aft to L

+ 0.655	
---------	--

Total Overhang (Sum overhang forward & aft)

	→ -1.203
--	----------

Waterline Length (Overall length - Total Overhang)

	2.978
--	-------

Beam at 1/3 Height of Midship Freeboard

	0.751
--	-------

Tumblehome

	..
--	----

Minimum measured freeboard when ballasted and swamped in accordance with Rule 8.2

	0.05
--	------

Weight recorded by weighing in measurer's presence (including 35kg ballast)

	(260) kg
--	----------

81kg + 179kg

	295
--	-----

Minimum weight required by Rule  $(0.2 \times LWL + 0.06)^3$

	2.89 kg
--	---------

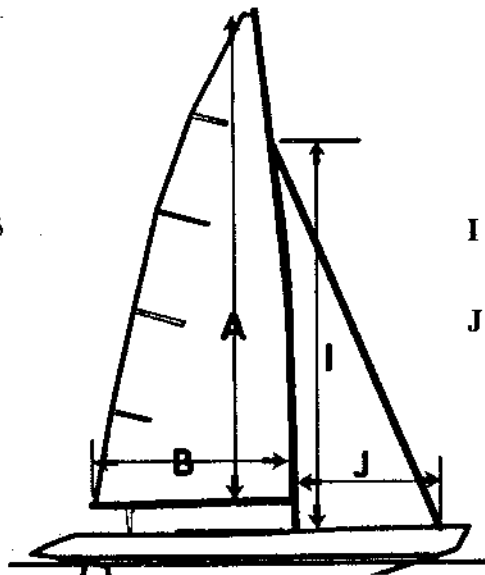
**Sail Dimensions**

A = 4.650

I = 3.750

B = 1.960

J = 1.560



**Areas of Sails**

Mainsail  $0.5 \times P \times E$

	4.557 m <sup>2</sup>
--	----------------------

Foretriangle Total  $(0.5 \times I \times J) =$

2.925 m <sup>2</sup>	
----------------------	--

Foretriangle Total x 0.85 =

2.480 m <sup>2</sup>	
----------------------	--

Sail Area for Rating = S =

7.043 m <sup>2</sup>	
----------------------	--

√S

2.654	
-------	--

**VEENE-BJÖRNDAL** Ky

Vasarakuja 6 puh./fax

Builder 67100 KOKKOLA 968-8317850

Designer PETER NOPLIN

When built 5. 1998

Measured by *Esko Huypa*

ESKO HUYPÄ  
TYA/SPL LIC 0619

Date of measurement 15.5.1998



IYRU Ltd

*J. Oskari Oskari*

31.5.1998

Effective: May 1994